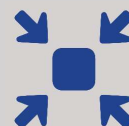




High performance



Easy installation



Compact

Compact and versatile marine generator equipped with Kubota 1500 RPM engine.  
The group is cooled through a heat exchange with the engine room.





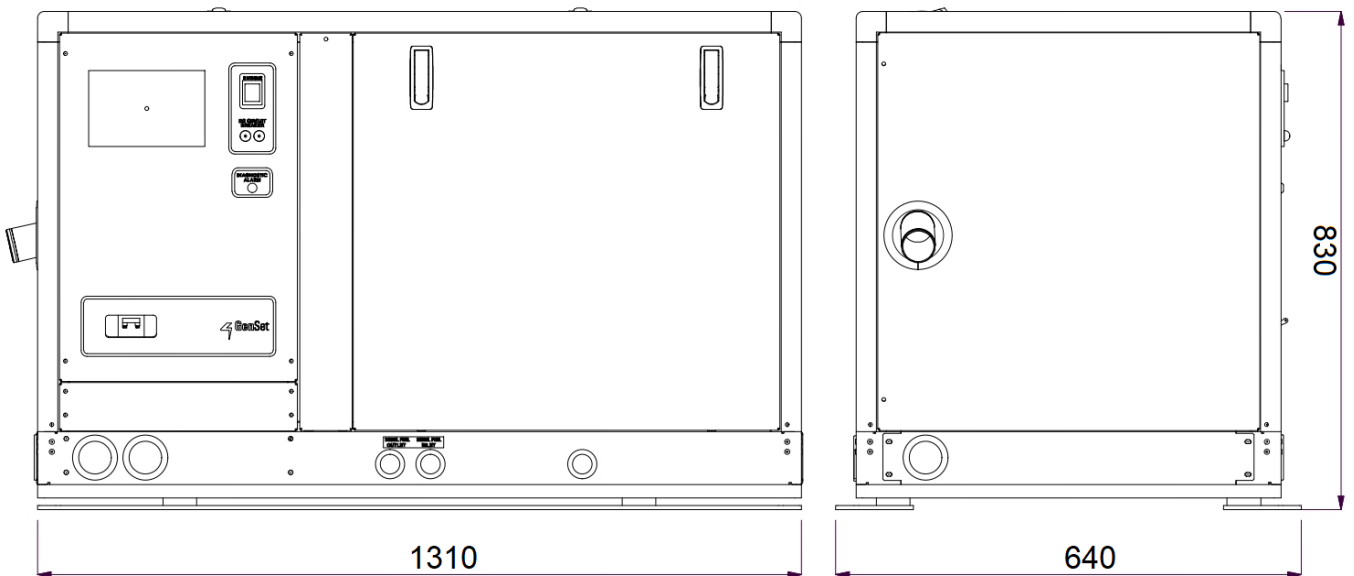
## GS series

Controller with digital display for full monitoring of generator parameters: start, voltage, frequency, power, amperage, engine rpm, hourmeter, genset battery voltage, engine oil pressure, engine and alternator temperature, engine pre-heating, alternator battery charger failure alarm, inverter failure alarm, protection alarm for overload, short circuit, high and low voltage, high and low frequency, high and low rpm, alarms history, maintenance warning

- Other features: direct ECU communication via CAN line, possibility to disable all protections (emergency mode operation), automatic start for low battery voltage level, possibility for a Start/Stop remote switch (AUT mode), possibility to have multiple remote devices

- Emergency stop button
- Thermal and magneto-thermal protection
- Easy access in case of maintenance of feeding system, lubrication system, sea/water pump and air filter
- Safety stop in case of low oil pressure
- Safety stop in case high engine temperature or exhaust gas temperature
- Oil filter and fuel filter easy to replace
- Quick access to seawater pump
- Cooling system: cupronickel exchanger (heat exchange between coolant liquid and sea water)
- Soundproof cabin made of extremely light marine aluminum with very high resistance to external agents

## DIMENSIONS IN MM



	GS 9.5 K	GS 22 K	GS 26 K	GS 29 K
Noise level Lwa	49 dBA @ 7 mt		54 dBA @ 7 mt	
AC generator-50Hz Cooling	Synchronous Air			
Single-phase max. power	8 kW	22 kW	24 kW	27 kW
Voltage (V)	115 / 230			
Power Factor	cos $\phi$ 1			
Voltage stability	$\pm 2\%$			
Frequency stability	$\pm 5\%$			
Kubota 1500 RPM engine Fuel	D 1105	V 2403	V 3300	V 3300
No. cylinders	Diesel			
Power	3	4	4	4
Displacement	12,7 HP	29,5 HP	38,8 HP	38,8 HP
Injection system	1123 cm <sup>3</sup>	2434 cm <sup>3</sup>	3318 cm <sup>3</sup>	3318 cm <sup>3</sup>
Speed governor	Direct	Indirect		
Starting system	Mechanical	Electronic		
Fuel consumption @ 100%	Electric			
	2,9 lt/h	6,1 lt/h	11 lt/h	11 lt/h
Insulation Class	H			
Ambient temperature	40 °C			
Altitude	1000 mt			
Degree of protection	IP 23			
Dimensions (LxWxH)	921x581x 656 mm	1133x630x 728 mm	1310x640x 830 mm	
Dry weight	288 kg	465 kg	610 kg	
Max. inclination	30°			
	25		40	



## GS SERIES

Accessories  
on request

- Siphon break
- Filter kit
- Exhaust kit
- Separator and exhaust advice
- Remote START/STOP panel (20 mt cable)
- Remote start panel with display (20 mt cable)
- Insulated two poles kit

## NOTE

---

---

---

---

---

---

