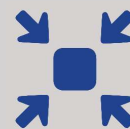




High performance



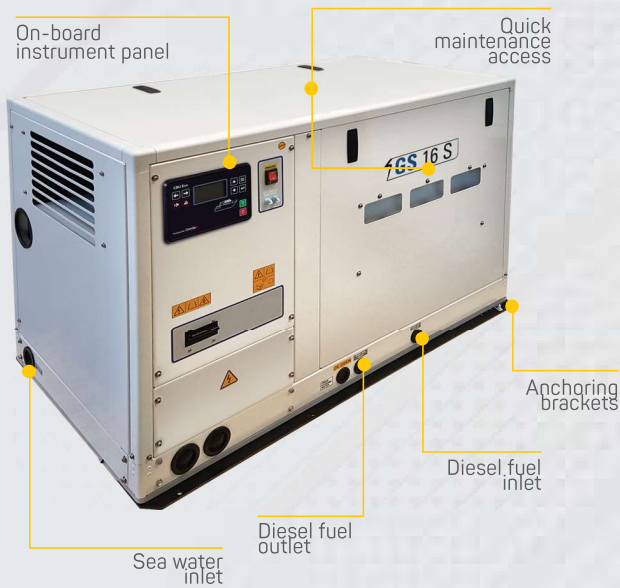
Easy installation



Compact

Compact and versatile marine generator equipped with Yanmar 1500 RPM engine.
The group is cooled through a heat exchange with the engine room.





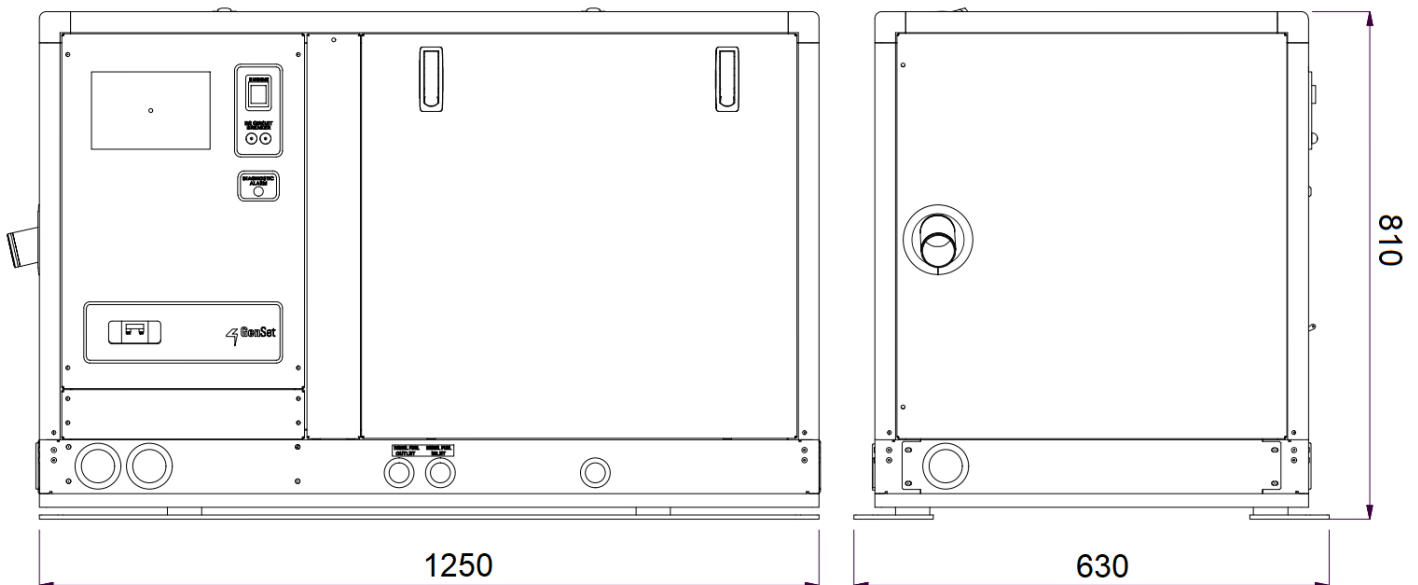
GS series

Controller with digital display for full monitoring of generator parameters: start, voltage, frequency, power, amperage, engine rpm, hourmeter, genset battery voltage, engine oil pressure, engine and alternator temperature, engine pre-heating, alternator battery charger failure alarm, inverter failure alarm, protection alarm for overload, short circuit, high and low voltage, high and low frequency, high and low rpm, alarms history, maintenance warning

- Other features: direct ECU communication via CAN line, possibility to disable all protections (emergency mode operation), automatic start for low battery voltage level, possibility for a Start/Stop remote switch (AUT mode), possibility to have multiple remote devices

- Emergency stop button
- Thermal and magneto-thermal protection
- Easy access in case of maintenance of feeding system, lubrication system, sea/water pump and air filter
- Safety stop in case of low oil pressure
- Safety stop in case high engine temperature or exhaust gas temperature
- Oil filter and fuel filter easy to replace
- Quick access to seawater pump
- Cooling system: cupronickel exchanger (heat exchange between coolant liquid and sea water)
- Soundproof cabin made of extremely light marine aluminum with very high resistance to external agents

DIMENSIONS IN MM



	GS 7	GS 8	GS 12	GS 16	GS 26	GS 29
Noise level Lwa	51 dBA @ 7 mt		52 dBA @ 7 mt		54 dBA @ 7 mt	
AC generator-50Hz	Synchronous					
Cooling	Air					
Single-phase max. power	7,5 kW	8 kW	11,2 kW	15,3 kW	26 kW	29 kW
Voltage (V)	115 / 230					
Power Factor	cos φ 1					
Voltage stability	±2%					
Frequency stability	±5%					
Yanmar 1500 RPM engine	3 TNV 80 F	3 TNV 80 F	3 TNV 88	4 TNV 88	4 TNV 98	4 TNV 98
Fuel	Diesel					
No. cylinders	3	3	3	4	4	4
Power	12,7 HP	12,7 HP	18,4 HP	24,5 HP	42 HP	47 HP
Displacement	1267 cm3	1267 cm3	1642 cm3	2190 cm3	3319 cm3	3319 cm3
Injection system	Direct					
Speed governor	Mechanical					
Starting system	Electric					
Fuel consumption @ 100%	2,3 lt/h	2,9 lt/h	4 lt/h	5,6 lt/h	8,9 lt/h	10,8 lt/h
Insulation Class	H					
Ambient temperature	40 °C					
Altitude	1000 mt					
Degree of protection	IP 23					
Dimensions (LxWxH)	764x570x618	840x600x657	1010x615x725	1133x630x728	1250x630x810 mm	
	mm	mm	mm	mm		
Dry weight	220 kg	285 kg	344 kg	400 kg	580 kg	
Max. inclination	30°					
Water pump flow (l/min)	25				40	



GS SERIES

Accessories
on request

- Siphon break
 - Filter kit
 - Exhaust kit
- Separator and exhaust advice
- Remote START/STOP panel (20 mt cable)
- Remote start panel with display (20 mt cable)
 - Insulated two poles kit

NOTE

