

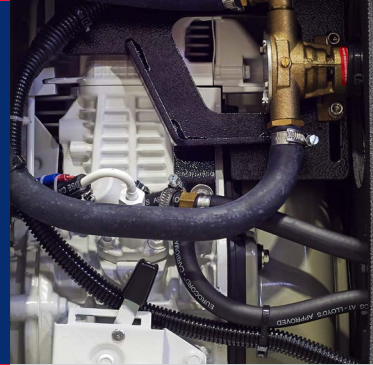
# IS 4.06i



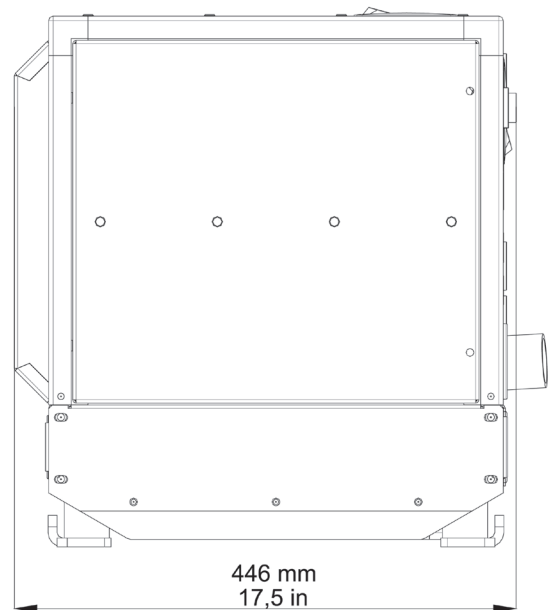
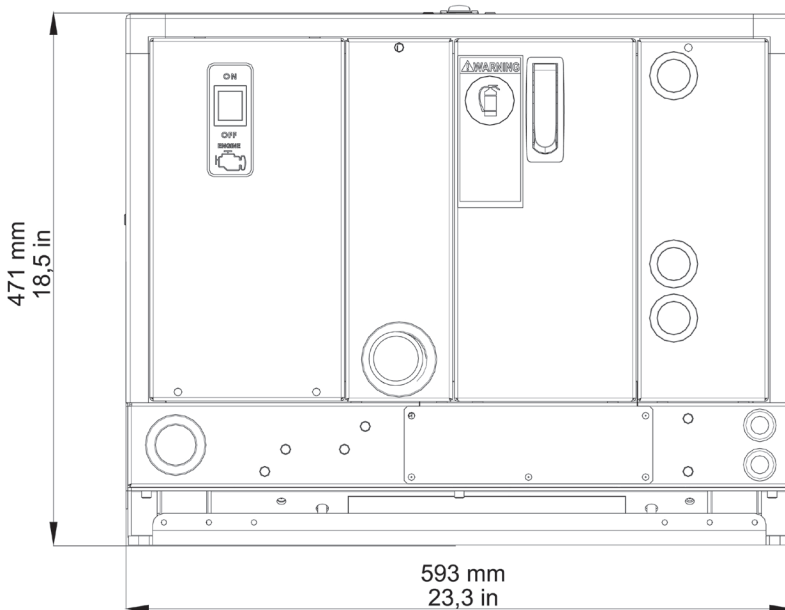
Control panel



3000 rpm Yanmar engine



PMG Alternator



**Mase Generators spa**  
Via Tortona, 345 - 47522 - Cesena (FC) - Tel. +39 0547 354311  
[www.masegenerators.com](http://www.masegenerators.com) - [commercial@masegenerators.com](mailto:commercial@masegenerators.com)

**Mase Generators of North America**  
2060 NW 29th St - Oakland Park (Fort Lauderdale) 33311 - Florida - Tel. +1 954-990-4130  
[www.masenorthamerica.com](http://www.masenorthamerica.com) - [info@masenorthamerica.com](mailto:info@masenorthamerica.com)

**mase**  
**GENERATORS**  
*Believing in change.*



Output power 4 kW single-phase

Description

- Marine power generator
- With inverter
- Diesel engine 3000 rpm
- Silenced version

AC generator - 60Hz

- Type: Permanent magnet (PMG)
- Cooling: Air/water (Intercooler W/A)
- Continuous power: 4 kW
- Voltage (V): 120 - 240
- Amps: 26,6 - 13,3
- Power factor:  $\cos \phi$  1
- Voltage stability:  $\pm 1\%$
- Frequency stability:  $\pm 1\%$
- Battery charging output (A-V): 10 - 12
- Units of the same model can operate in parallel

Diesel Engine  
3000 rpm

- Type: Yanmar L70W - 1 cyl. - 6,1 hp (4,5 kWm) 320 cc - 19,5 cid
- Starting system: electric (12Vdc)
- Fuel consumption @ 100%: 1,3 lt/h - 0,3 gal/h
- Easy access in case of maintenance of feeding system, lubrication system, sea/water pump and air filter
- Double vibration damping system
- Oil filter and fuel filter easy to replace
- Oil drain pump provided
- Safety stop in case of low oil pressure
- Safety stop in case high engine temperature or exhaust gas temperature

Standard Features

- Controller with digital display for full monitoring of generator parameters: manual start, Vac voltage, frequency Hz, engine rpm, hourmeter, genset battery voltage, engine oil pressure, low oil pressure alarm, engine temperature, engine pre-heating, high engine temperature warning and shutdown alarm, high alternator temperature warning and shutdown alarm, alarms history, maintenance warning + 10 mt connection cable
- Emergency stop button
- Thermal protection

Accessories  
on request

- Siphon break
- Filter kit
- Exhaust kit
- Separator and exhaust advice
- Insulated two poles kit

Noise level

- 54 dBA @ 7mt - 23 ft

Other features

- Insulation Class: H
- Ambient temperature: 40 °C - 104 °F (\*)
- Altitude: 1000 mt - 3281 ft (\*)
- Mechanical Protection: IP 23
- Dimensions (L x W x H): 593 x 446 x 471 mm - 23,3 x 17,5 x 18,5 in
- Dry weight: 96 kg - 212 lb
- Max. inclination: 30°
- Water pump flow: 20 lt/min - 5,3 gal/min
- Cooling system: intercooler system heat exchanger (sea water/air) that provides the optimal temperature for the best performance and reliability of the gensets despite the on board allocation and the roomtemperature.
- Soundproof cabin made of extremely light marine aluminum with very high resistance to external agents

(\*) - For altitude and temperature values other than those listed above, please consult the manufacturer to verify the available power.

We reserve the right to change data, images and drawings without notice.

For more information, you may contact your local dealer or Mase Generators S.p.A.