

IS 9.6 K



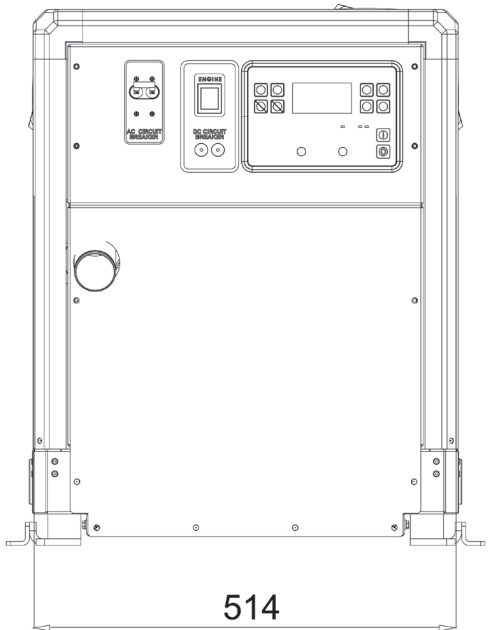
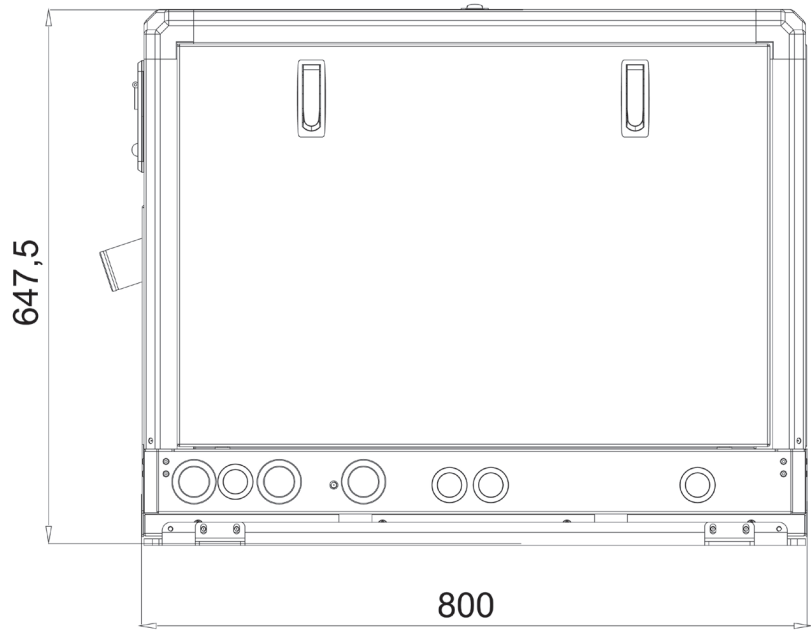
Control panel



1800 rpm Kubota engine



Input/Output fuel pipe



Mase Generators spa
Via Tortona, 345 - 47522 - Cesena (FC) - Tel. +39 0547 354311
www.masegenerators.com - commercial@masegenerators.com

Mase Generators of North America
2060 NW 29th St - Oakland Park (Fort Lauderdale) 33311 - Florida - Tel. +1 954-990-4130
www.masenorthamerica.com - info@masenorthamerica.com





Output power 8,8 kW single-phase

Description

- Marine power generator
- Diesel engine 1800 rpm
- Silenced version

AC generator - 60Hz

- Type: synchronous, 4 poles, self-excited, brushless
- Cooling: Air/water (Intercooler W/A)
- Max. power: 8,8 kW
- Continuous power: 8 kW
- Voltage (V): 120 - 240
- Amps: 73,3 - 36,6
- Power factor: $\cos \phi$ 1
- Voltage stability: $\pm 10\%$
- Frequency stability: $\pm 5\%$

Diesel Engine
1800 rpm

- Type: Kubota D1105 - 3 cyl. - 15,4 hp (11,5 kWm) - 1123 cm³
- Starting system: electric (12Vdc)
- Fuel: Diesel fuel No. 2-D (ASTM D975)
- Lubricating oil: Class CF lubricating oil as per API classification, SAE 10W-40 is recommended
- Fuel consumption @ 100%: 247 g/kWh
- Cylinder block material: Cast iron
- Bore (mm): 78
- Stroke (mm): 78,4
- Injection system: direct
- Engine head material: Cast iron
- Speed governor: Mechanical
- Lubrication system: Forced
- Oil sump capacity (L): 4
- Engine stop system: Stop solenoid
- Fuel pump: Electric
- Head max. fuel pump (cm): 70
- Starter battery (Ah-V): 80 - 12
- Battery-charger (Ah-V): 75 - 12
- Starter motor (kW-V): 1,2 - 12
- Coolant antifreeze blue type density: 1,13 g/cm³
- Easy access in case of maintenance of feeding system, lubrication system, sea/water pump and air filter
- Safety stop in case of low oil pressure
- Safety stop in case high water temperature and high exhaust gas temperature
- Oil filter and fuel filter easy to replace

Standard Features

- Controller with digital display for full monitoring of generator parameters: manual start, Vac voltage, frequency Hz, power, amperage, engine rpm, hourmeter, genset battery voltage, engine oil pressure, low oil pressure alarm, engine temperature, engine pre-heating, high engine temperature warning and shutdown alarm, high alternator temperature warning and shutdown alarm, alternator battery charger failure alarm, inverter failure alarm, protection alarm for Overload, short circuit, high and low voltage, high and low frequency, high and low rpm, alarms history, maintenance warning
- Other features: direct ECU communication via CAN line, possibility to disable all protections (emergency mode operation), automatic start for low battery voltage level, possibility for a Start/Stop remote switch (AUT mode), possibility to have multiple remote devices
- Emergency stop button
- Thermal and magneto-thermal protection

Accessories
on request

- Siphon break
- Filter kit
- Exhaust kit
- Separator and exhaust advice
- Remote START/STOP panel (20 mt cable)
- Remote start panel with display (20 mt cable)
- Insulated two poles kit

Noise level

- 51 dBA @ 7mt - 23 ft

Other features

- Insulation Class: H
- Ambient temperature: 40 °C - 104 °F (*)
- Altitude: 1000 mt - 3281 ft (*)
- Mechanical Protection: IP 23
- Dimensions (L x W x H): 800 x 514 x 647,5 mm - 31,5 x 20,2 x 25,5 in
- Dry weight: 230 kg - 507 lb
- Max. inclination: 30°
- Water pump flow: 25 lt/min - 6,6 gal/min
- Cooling system: cupronickel exchanger (heat exchange between coolant liquid and sea water)
- Soundproof cabin made of extremely light marine aluminum with very high resistance to external agents

(*) - For altitude and temperature values other than those listed above, please consult the manufacturer to verify the available power.

We reserve the right to change data, images and drawings without notice.

For more information, you may contact your local dealer or Mase Generators S.p.A.