

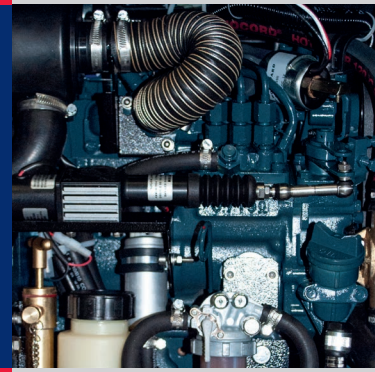
# VS 6.5



Control panel



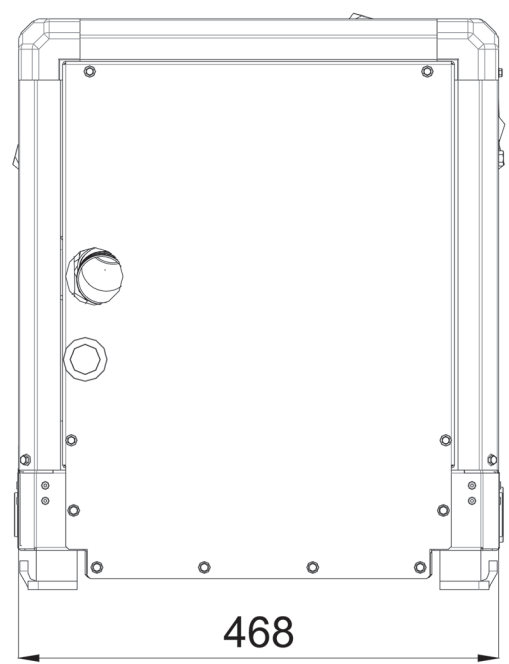
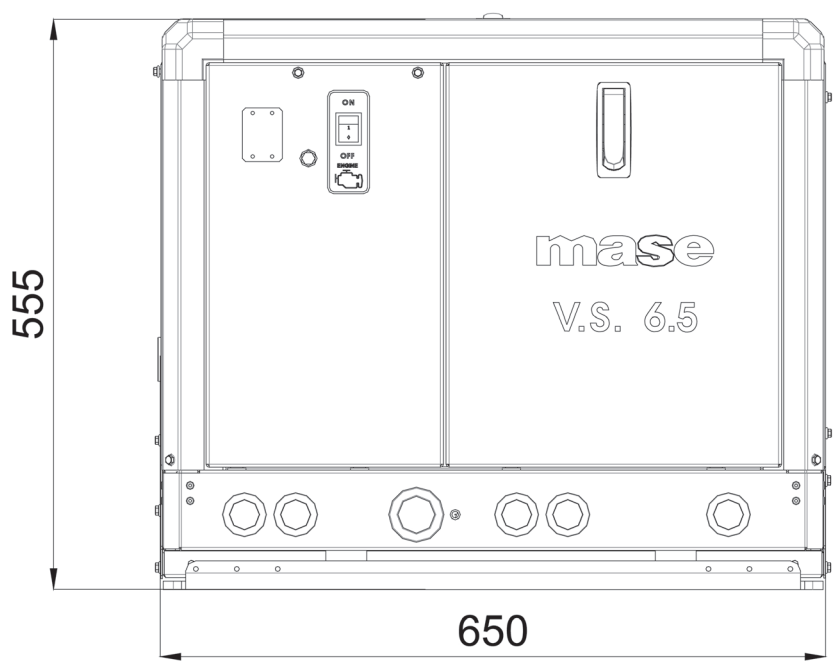
Variable speed Kubota engine



PMG Alternator



Unit of measure: mm



We reserve the right to change data, images and drawings without notice. For more information, you may contact your local dealer or Mase Generators S.p.A.

Mase Generators spa  
Via Tortona, 345 - 47522 - Cesena (FC) - Tel. +39 0547 354311  
www.masegenerators.com - commercial@masegenerators.com





### Description

- Marine power generator
- Variable speed Diesel engine
- Silenced version

### AC generator 50/60Hz

- Type: Permanent magnet (PMG)
- Cooling: Air/water (Intercooler W/A)
- Continuous power: 6,5 kW
- Voltage (V): 230 / 240
- Power factor:  $\cos \phi 1$
- Voltage stability:  $\pm 1\%$
- Frequency stability:  $\pm 1\%$

### Variable speed Diesel engine

- Type: Kubota Z482 - 2 cyl. - 11,1 hp (8,3 kWm) - 479 cm<sup>3</sup>
- Starting system: electric (12Vdc)
- Easy access in case of maintenance of feeding system, lubrication system, sea/water pump and air filter
- Safety stop in case of low oil pressure
- Safety stop in case high engine temperature or exhaust gas temperature
- Oil filter and fuel filter easy to replace
- Quick access to seawater pump

### Standard Features

- Controller with digital display for full monitoring of generator parameters: manual start, Vac voltage, frequency Hz, engine rpm, hourmeter, genset battery voltage, engine oil pressure, low oil pressure alarm, engine temperature, engine pre-heating, high engine temperature warning and shutdown alarm, high alternator temperature warning and shutdown alarm, alarms history, maintenance warning + 10 mt connection cable
- Emergency stop button

### Accessories on request

- Siphon break
- Filter kit
- Exhaust kit
- Separator and exhaust advice
- Remote START/STOP panel (20 mt cable)
- Remote start panel with display (20 mt cable)
- Insulated two poles kit

### Noise level

- 54 dBA @ 7mt

### Other features

- Insulation Class: H
- Ambient temperature: 40 °C (\*)
- Altitude: 1000 mt (\*)
- Mechanical Protection: IP 23
- Dimensions (L x W x H): 650 x 468 x 555
- Dry weight: 161 Kg
- Max. inclination: 30°
- Water pump flow (l/min): 22
- Cooling system: intercooler system heat exchanger (sea water/air) that provides the optimal temperature for the best performance and reliability of the gensets despite the on board allocation and the roomtemperature
- Soundproof cabin made of extremely light marine aluminum with very high resistance to external agents

(\*) - For altitude and temperature values other than those listed above, please consult the manufacturer to verify the available power.